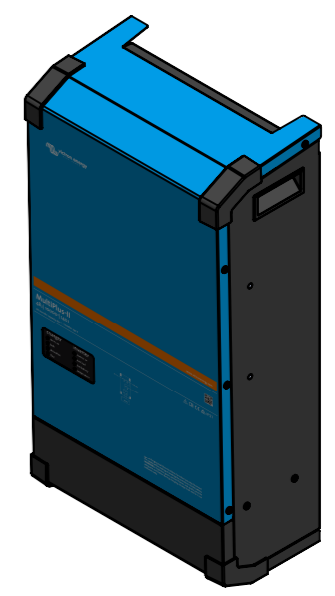
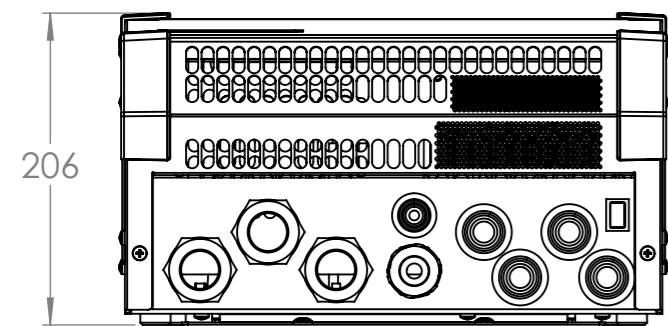
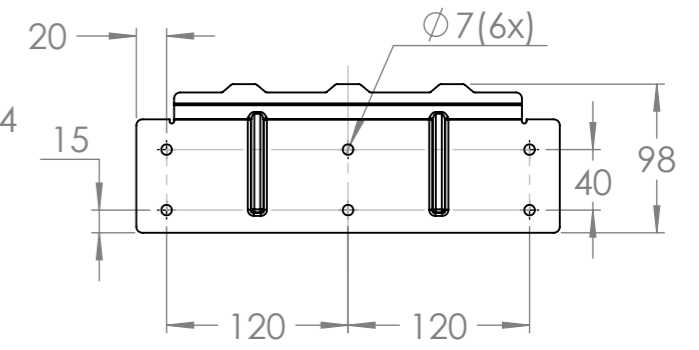
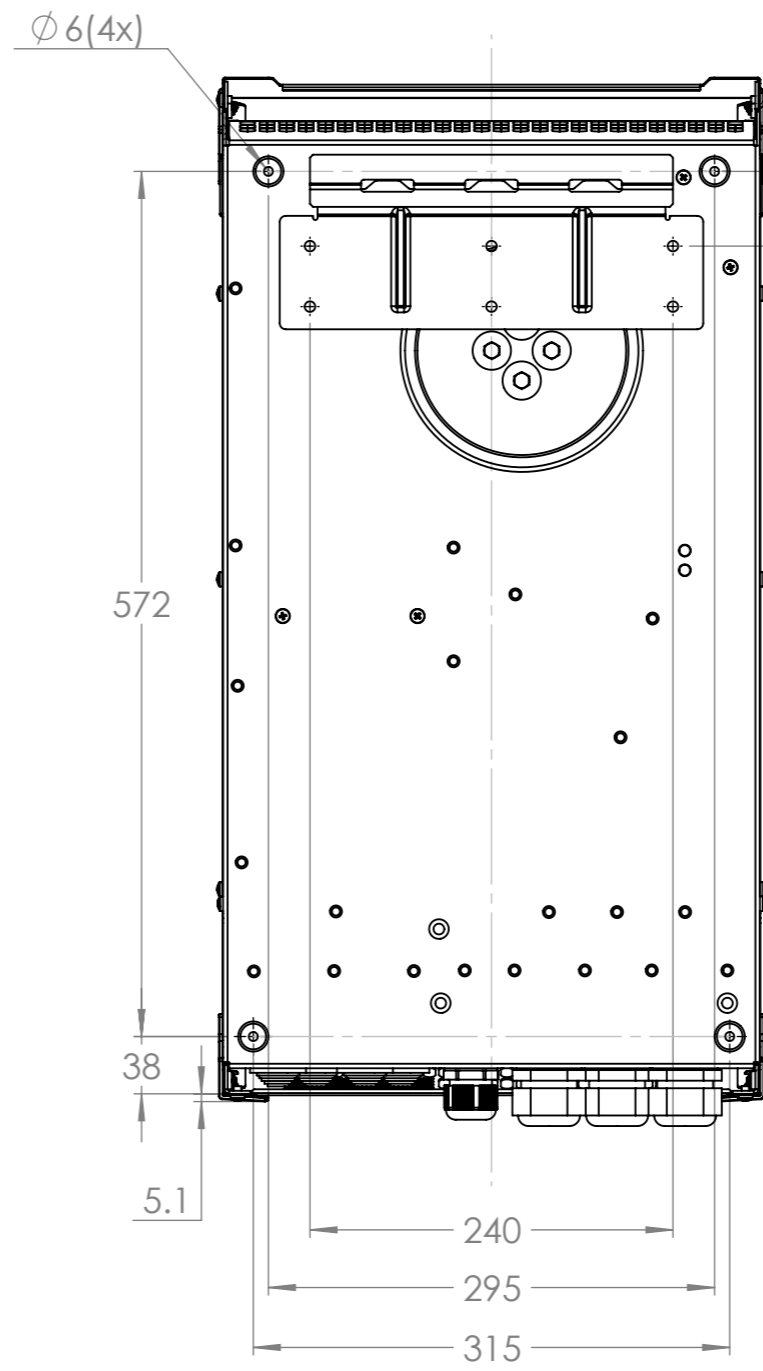
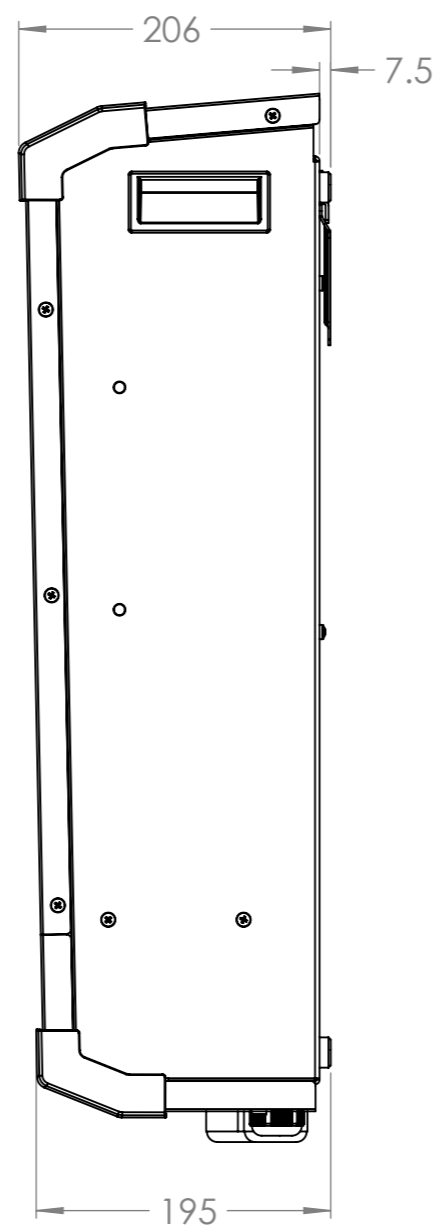
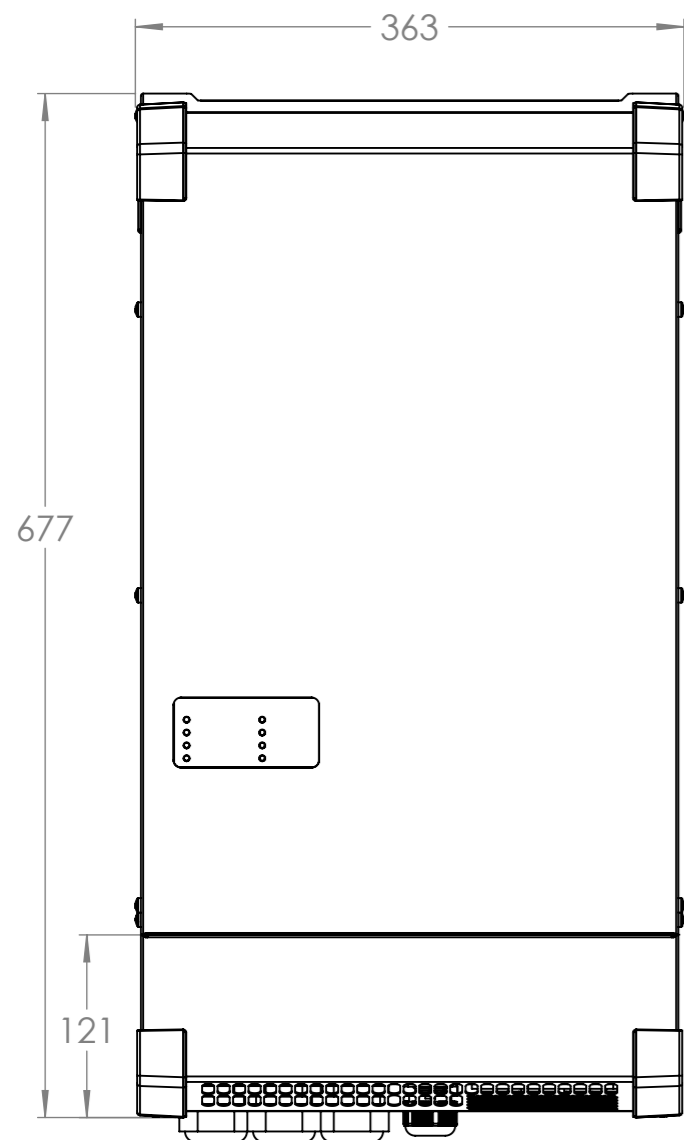


Dimension Drawing - MultiPlus-II
(PMP483105000) MultiPlus-II 48/10000/140-100/100 230V



Dimensions in mm

victron energy
BLUE POWER